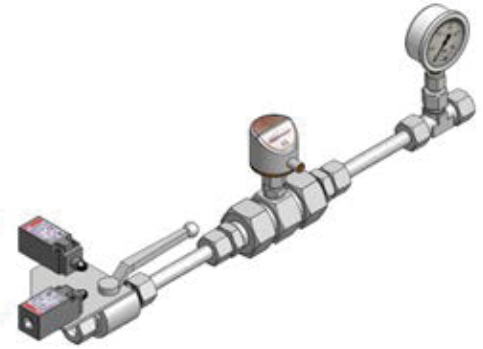




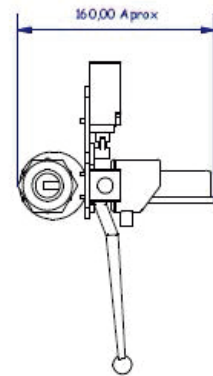
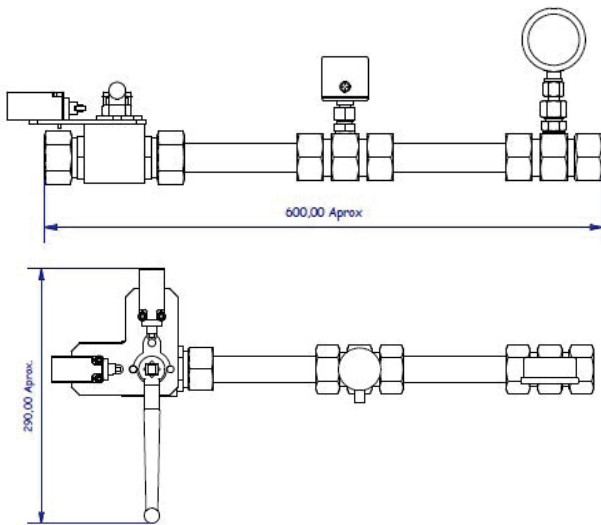
CONTROL VALVE WITH FLOW DETECTOR FOR 30 TUBE AN/VC30

Description

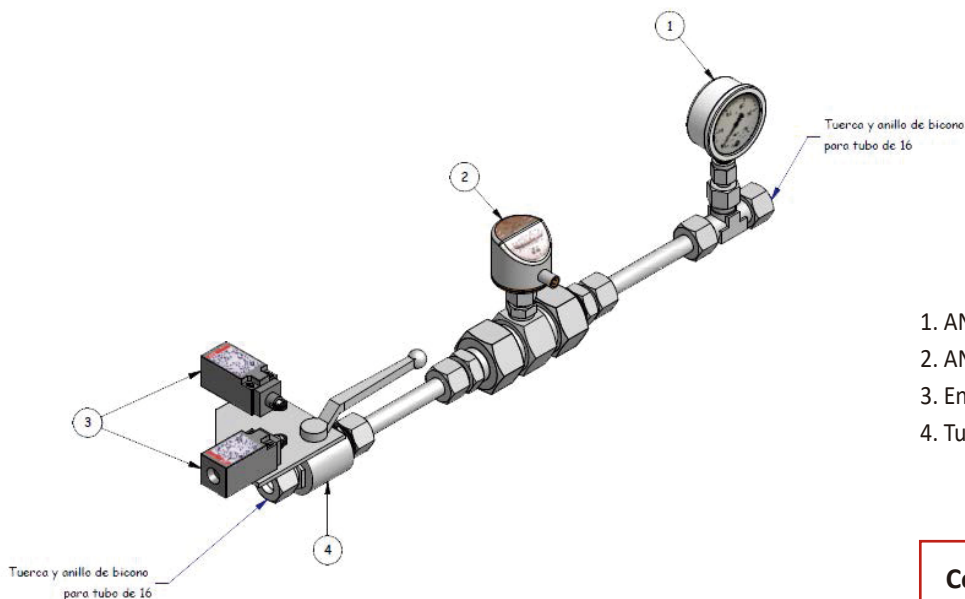
Equipment designed to be installed in those cases where it is needed to have a cutting point with position control, pressure indication and alarm signaling in case of programmable minimum flow. It is composed of an input and an outlet with a nut and bonus ring For 30 tube, a manual locking valve, an open valve stroke finish and a closed valve stroke end. It also has a flow detector (precise from a 24VDC power outlet) and a glycerin manometer with a range of 0 to 250 bar.



Dimensions



Components



1. AN-M63B250 manometer (1 pc)
2. AN-DF Flow Detector (1 UD)
3. End of race AN-VC16L30 (2 UD)
4. Tube valve of 30 AN-VCS30 (1 UD) (

Consumption

Maximum current: 250 mA